



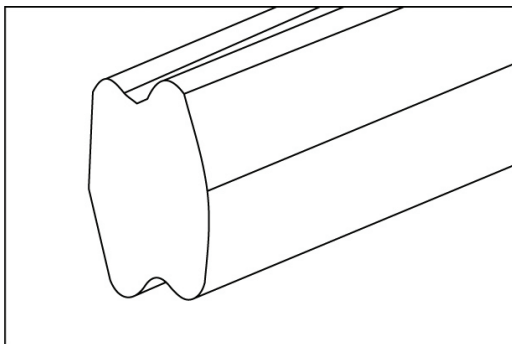
BMW Oil Cooler & Alternator Bracket Gaskets

12 31 7 507 808-PRM (Oil Cooler Gasket), 12 31 7 507 807-PRM (Bracket Gasket)



OEM Design

The thin OE gaskets used for the oil cooler or alternator bracket cover (on engines without an oil cooler) is narrow and made of a soft material that deforms when compressed, creating troublesome oil leaks. Repair with a new OEM seal doesn't address these problems and is often a short-term remedy.



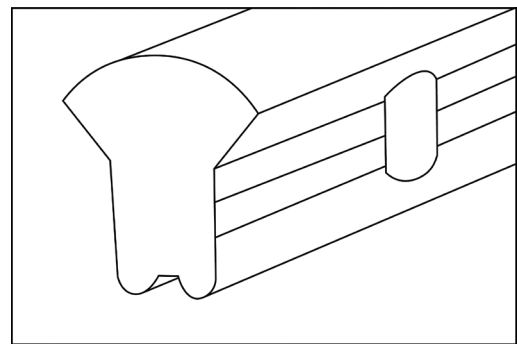
Problems

- Factory gasket is too narrow for the seal channel, allowing twisting and potential leakage even when gasket is brand-new
- OEM seal material can harden and crack after exposure to engine heat and oil



ÜRO Solution

ÜRO Parts redesigned these gaskets with a wider seal profile using superior Viton™ rubber. The improved shape anchors the gasket in the proper position for optimal sealing, while the oil and heat-resistant Viton™ material resists degradation and cracking better than the original material.



Advantages

- ÜRO's full-width design prevents twisting and increases sealing surface area
- Viton™ material resists continuous oil exposure and long-term heat cycling
- Limited Lifetime Warranty

Vehicle Applications

2004-2010 BMW 5-Series, 2004-2007 BMW 6-Series, 2002-2008 BMW 7-Series